



SedentexCT DI

CBCT Phantom

The SEDENTEX-CT dose index phantom comprises a stack of PMMA plates forming a cylinder representing the adult head.

Several types of detector systems are catered for:

- Ionisation chambers
- Thermoluminescent detectors (TLDs)
- Gafchromic film





SedentexCT DI

CBCT

Details



fig. 1 Ion chamber plate



fig. 2 TLD plate



fig. 3 blank plate

www.leedstestobjects.com



SedentexCT DI

CBCT

Detail

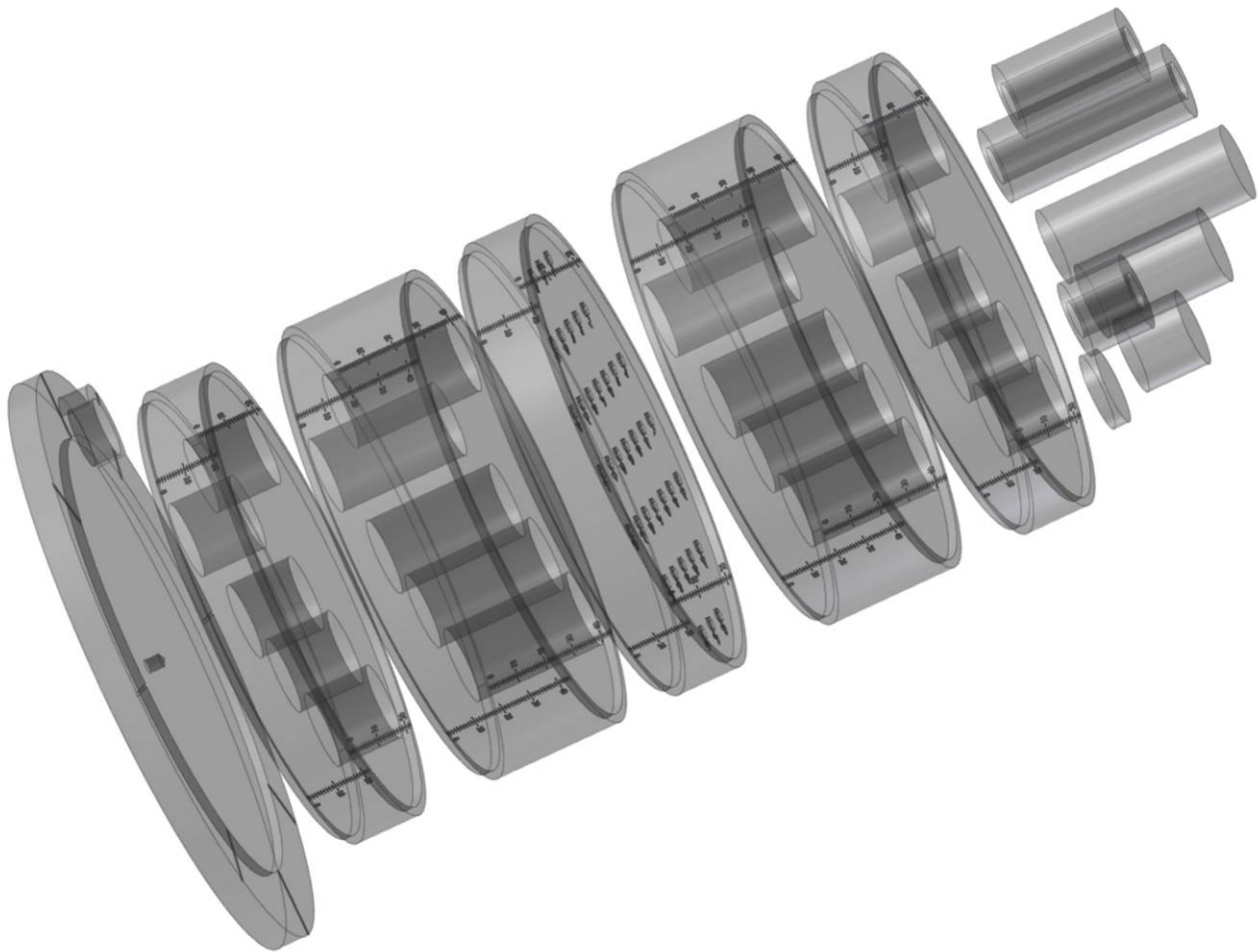


fig. 4 SedentexCT DI exploded view (CAD)

www.leadstestobjects.com